



Model: D4DJ-3000

Data

Type: Semi-hermetic piston compressors

Producer: Copeland

Series: DISCUS

Model: D4DJ-3000

Technical data

Cylinder count:	4
Displacement [m ³ /h]:	84,7
Weight [kg]:	230
Oil charge [dm ³]:	4
Max. operating current [A]:	52,5
Locked rotor current [A]:	218
Power supply [V/~/Hz]:	380-420V/3/50Hz

Connections

	<u>milimeters</u>	<u>inches</u>
Suction line:		2 1/8"
Discharge line:		1 3/8"

R22

Cooling capacity [kW]

t_c \ t_e	-25	-20	-15	-10	-5	0	5	10
30	27.66	34.60	42.71	52.15	63.07	75.62	89.97	106.27
35	25.73	32.39	40.15	49.16	59.58	71.56	85.26	100.83
40	23.77	30.15	37.55	46.13	56.03	67.43	80.47	95.31
45	-	27.89	34.92	43.05	52.44	63.24	75.62	89.72
50	-	25.62	32.27	39.95	48.81	59.01	70.71	84.06
55	-	-	29.61	36.82	45.15	54.74	65.75	78.34
60	-	-	26.95	33.69	41.47	50.43	60.75	72.57

Power input [kW]

t_c \ t_e	-25	-20	-15	-10	-5	0	5	10
30	11.08	12.21	13.27	14.21	14.99	15.57	15.90	15.96
35	11.76	13.02	14.23	15.35	16.34	17.15	17.74	18.07
40	12.41	13.80	15.16	16.45	17.63	18.66	19.49	20.09
45	-	14.54	16.04	17.49	18.85	20.09	21.16	22.01
50	-	15.26	16.88	18.48	20.01	21.45	22.73	23.83
55	-	-	17.67	19.41	21.11	22.72	24.22	25.55
60	-	-	18.42	20.28	22.13	23.92	25.62	27.17

Current [A]

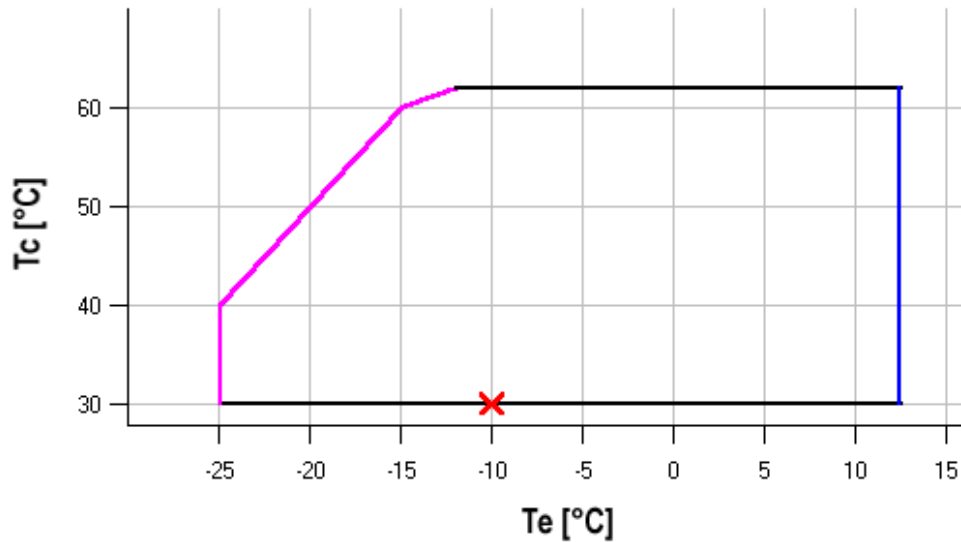
t_c \ t_e	-25	-20	-15	-10	-5	0	5	10
30	23.57	25.29	26.92	28.38	29.60	30.51	31.04	31.12
35	24.60	26.54	28.42	30.17	31.72	33.00	33.94	34.46
40	25.60	27.74	29.86	31.89	33.76	35.39	36.72	37.67
45	-	28.91	31.25	33.54	35.70	37.67	39.37	40.73
50	-	30.02	32.57	35.10	37.54	39.83	41.89	43.65
55	-	-	33.82	36.58	39.29	41.88	44.28	46.42
60	-	-	35.01	37.97	40.93	43.80	46.53	49.03

Mass flow [kg/s]

t_c \ t_e	-25	-20	-15	-10	-5	0	5	10
30	601.53	743.41	905.94	1 091.83	1 303.82	1 544.62	1 816.98	2 123.60
35	582.44	723.40	884.60	1 068.76	1 278.61	1 516.88	1 786.29	2 089.57
40	562.08	701.86	861.48	1 043.66	1 251.12	1 486.59	1 752.80	2 052.49
45	-	678.81	836.59	1 016.53	1 221.34	1 453.77	1 716.53	2 012.36
50	-	654.28	809.96	987.40	1 189.32	1 418.45	1 677.50	1 969.22
55	-	-	781.62	956.31	1 155.07	1 380.64	1 635.74	1 923.09
60	-	-	751.57	923.25	1 118.61	1 340.37	1 591.25	1 873.99

C.O.P. [W/W]

$t_c \setminus t_e$	-25	-20	-15	-10	-5	0	5	10
30	2.50	2.83	3.22	3.67	4.21	4.86	5.66	6.66
35	2.19	2.49	2.82	3.20	3.65	4.17	4.81	5.58
40	1.92	2.19	2.48	2.80	3.18	3.61	4.13	4.74
45	-	1.92	2.18	2.46	2.78	3.15	3.57	4.08
50	-	1.68	1.91	2.16	2.44	2.75	3.11	3.53
55	-	-	1.68	1.90	2.14	2.41	2.71	3.07
60	-	-	1.46	1.66	1.87	2.11	2.37	2.67

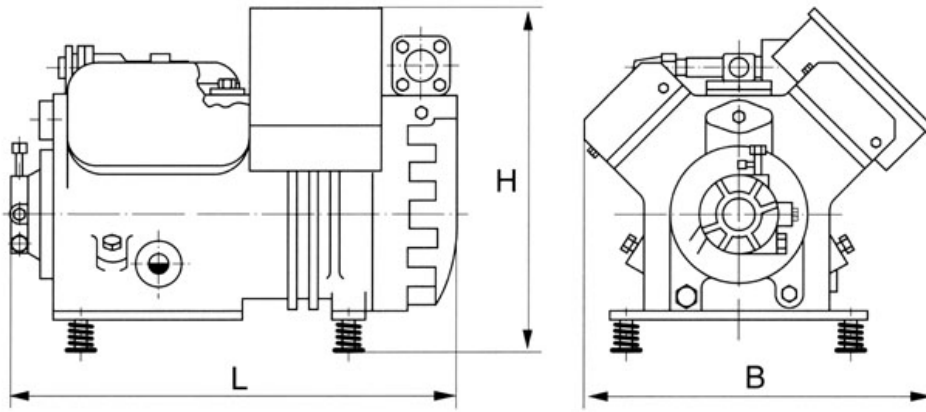
Application range


- Maximum evaporating temperature
- 25°C suction gas return

Operating conditions: ISO; subcooling: 0 K, suction superheat: 10 K, return gas temperature: -

t_c - Condensing temperature [°C]

t_e - Evaporating temperature [°C]



L	690 mm
B	535 mm
H	495 mm

